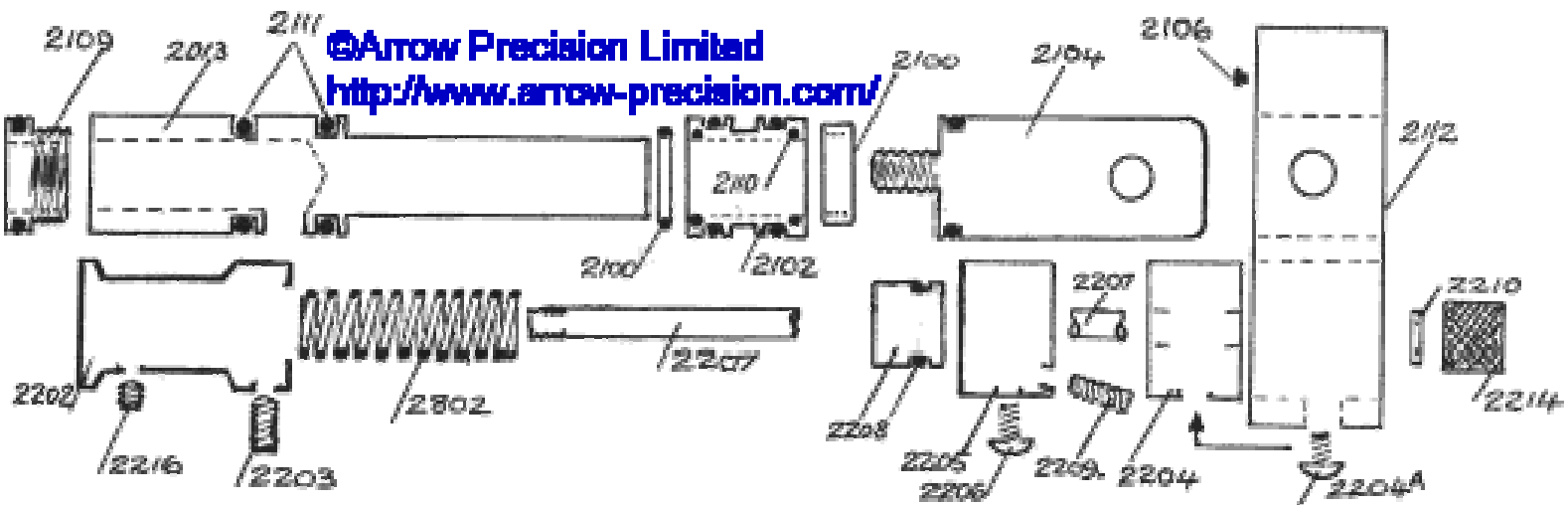
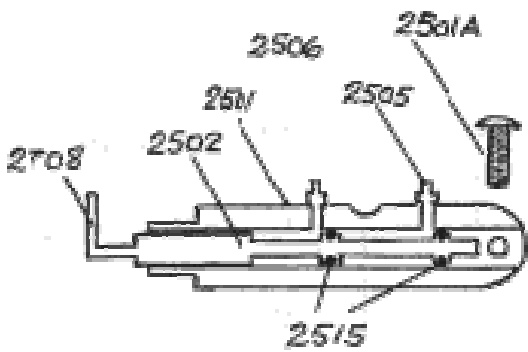
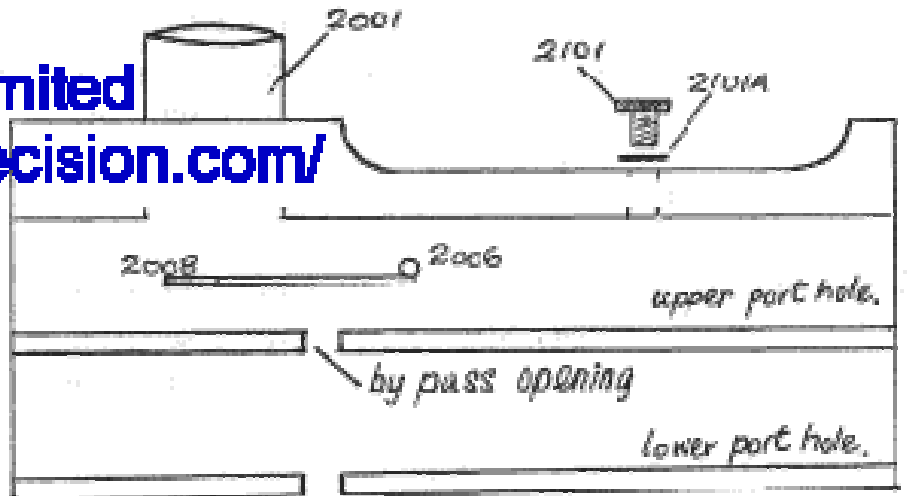


©Arrow Precision Limited
<http://www.arrow-precision.com/>

- | | | | | | | | |
|----|---------------------------|----|-------------------------------|----|------------------|----|----------------|
| 1 | FEED COLLAR AND BODY | 11 | DIALABLE REAR COLLAR | 21 | TRIGGER ROD | 31 | REG ADJUSTER |
| 2 | RAM BOLT SHAFT | 12 | MAIN SPRING | 22 | SPACER SEAL | 32 | CORE INSERT |
| 3 | RAM VALVE | 13 | 3 WAY RETAINING CAP | 23 | VALVE SPRING | 33 | REG VALVE BODY |
| 4 | RAM VALVE RETAINING SCREW | 14 | 3 WAY BODY | 24 | SPACER BAR | 34 | BARREL |
| 5 | RAM BOLT 'O' RING | 15 | 3 WAY SPOOL 'O' RING | 25 | FRONT SCREW | 35 | REG FILTER |
| 6 | COCKING BLOCK | 16 | 3 WAY SPOOL | 26 | FRONT MOUNT | 36 | EXHAUST VALVE |
| 7 | COCKING BLOCK SCREW | 17 | 3 WAY CONNECTOR | 27 | BYPASS TUBE | 37 | VALVE GUIDE |
| 8 | COCKING ROD | 18 | TRIGGER ALIGNMENT SCREWS | 28 | REGULATOR OUTLET | 38 | FRAME UPPER |
| 9 | COCKING BLOCK LOWER SCREW | 19 | TRIGGER | 29 | PISTON | 39 | FRAME SCREW |
| 10 | REAR COLLAR SCREW | 20 | HAMMER CO ₂ OR AIR | 30 | REG SPRING | 40 | HAMMER SEAR |

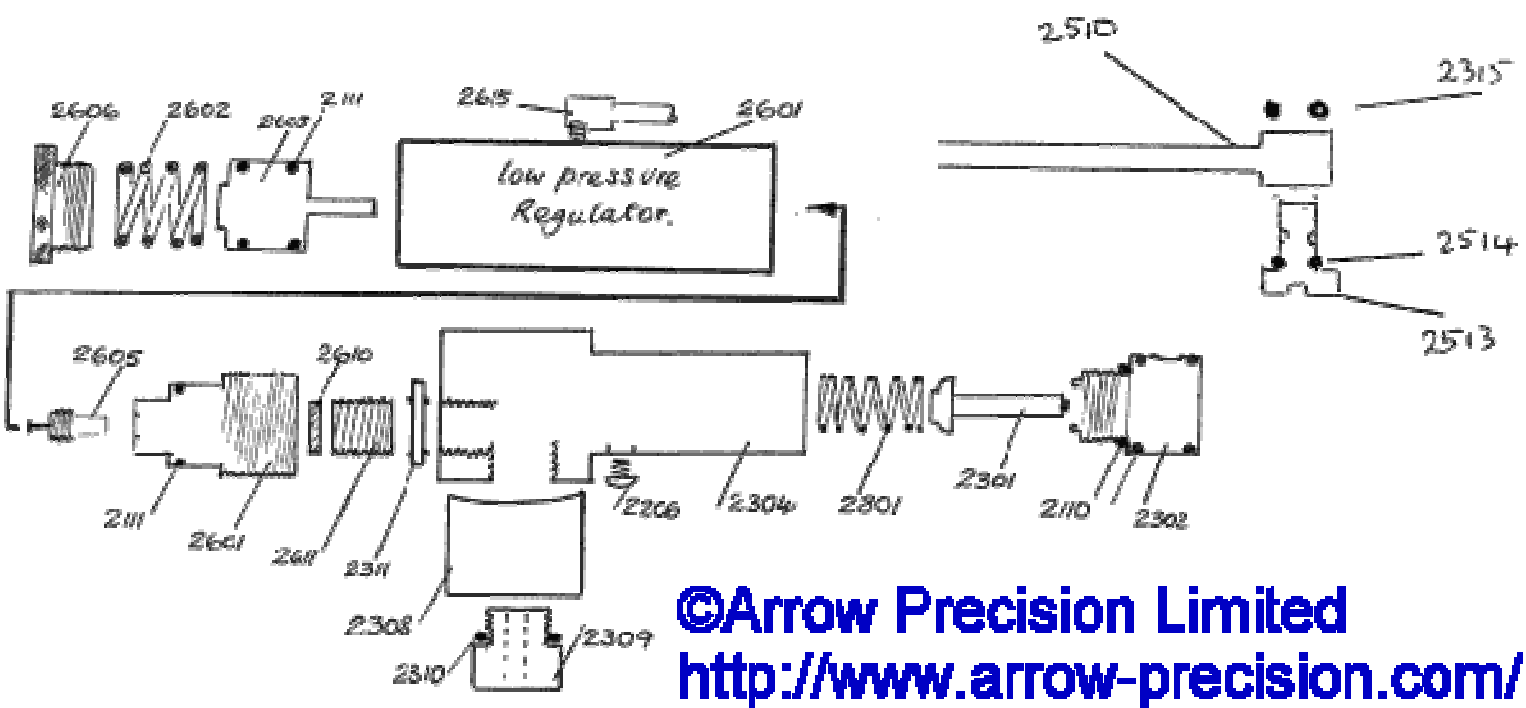
Manuals Provided by: <http://www.mcarterbrown.com>

©Arrow Precision Limited
<http://www.arrow-precision.com/>



©Arrow Precision Limited
<http://www.arrow-precision.com/>

Manuals Provided by: <http://www.mcarterbrown.com>



| | | | | | |
|--------|------------------|---------|-------------------|--------|------------------|
| S 2001 | Semi feed collar | S 2214 | Cock rod end | S 2601 | Regulator body |
| S 2002 | Semi Body | S 2215 | V/A o ring | S 2602 | Regulator spring |
| S 2003 | Barrel | S 2216 | Set screw | S 2603 | Regulator piston |
| S 2005 | Breach/ball adap | S 2217 | Block screw | S 2604 | Reg valve body |
| S 2006 | Feed wire screw | S 2299 | Anti tamper | S 2605 | Regulator insert |
| S 2007 | Feed wire seal | S 2301 | Exhaust valve | S 2606 | Reg adjuster |
| S 2008 | Feed wire | S2301R | RAT valve stem | S 2607 | Spacer washer |
| S 2100 | Bumper Set | S 2302 | Valve guide STP | S 2610 | Sintered filter |
| S 2101 | Ram valve Screw | S2302R | Valve guide RAT | S 2611 | Nipple |
| S 2102 | Ram valve | S 2304 | Valve body | S 2615 | Outlet e1bow |
| S 2103 | Front bolt | S 2307 | Helicoil insert | S 2700 | Grip frame |
| S 2104 | Rear bolt | S 2308 | Vertical mount | S 2702 | Trigger |
| S 2105 | Push Pin | S 2309 | Mount screw | S 2703 | Set screw |
| S 2106 | Block bumper | S 2310 | Mount o ring | S 2704 | Trigger spring |
| S 2109 | Bolt insert | S 2311 | Dowty seal. | S 2705 | Sear spring |
| S 2110 | Valve o ring | S 2315 | RAT stem o ring | S 2706 | Sear |
| S 2111 | Bolt o ring | S 2501 | 3 way body | S 2707 | Sear pin |
| S 2202 | Hammer | S 2501A | 3 way screw | S 2708 | Trigger rod |
| S 2203 | Cocking rod | S 2502 | Spool | S 2709 | Spacer bar |
| S 2204 | Rear collar | S 2505 | Barb | S 2710 | Bar screw |
| S 2205 | V/A Sleeve | S 2506 | Urethane hose | S 2711 | Spacer seal |
| S 2206 | Front screw | S 2510 | Hardline/bungey | S 2712 | Hogue grip |
| S 2207 | Cocking rod | S 2513 | Bungey screw | S 2714 | Trigger shoe |
| S 2208 | V/A inner | S 2514 | Bungey o ring | S 2717 | Hogue screws |
| S 2209 | V/A screw | S 2515 | Spool o ring | S 2801 | Valve spring |
| S 2210 | Cock rod bumper | S 2588 | 1/8" tube adaptor | S 2802 | Hammer spring |