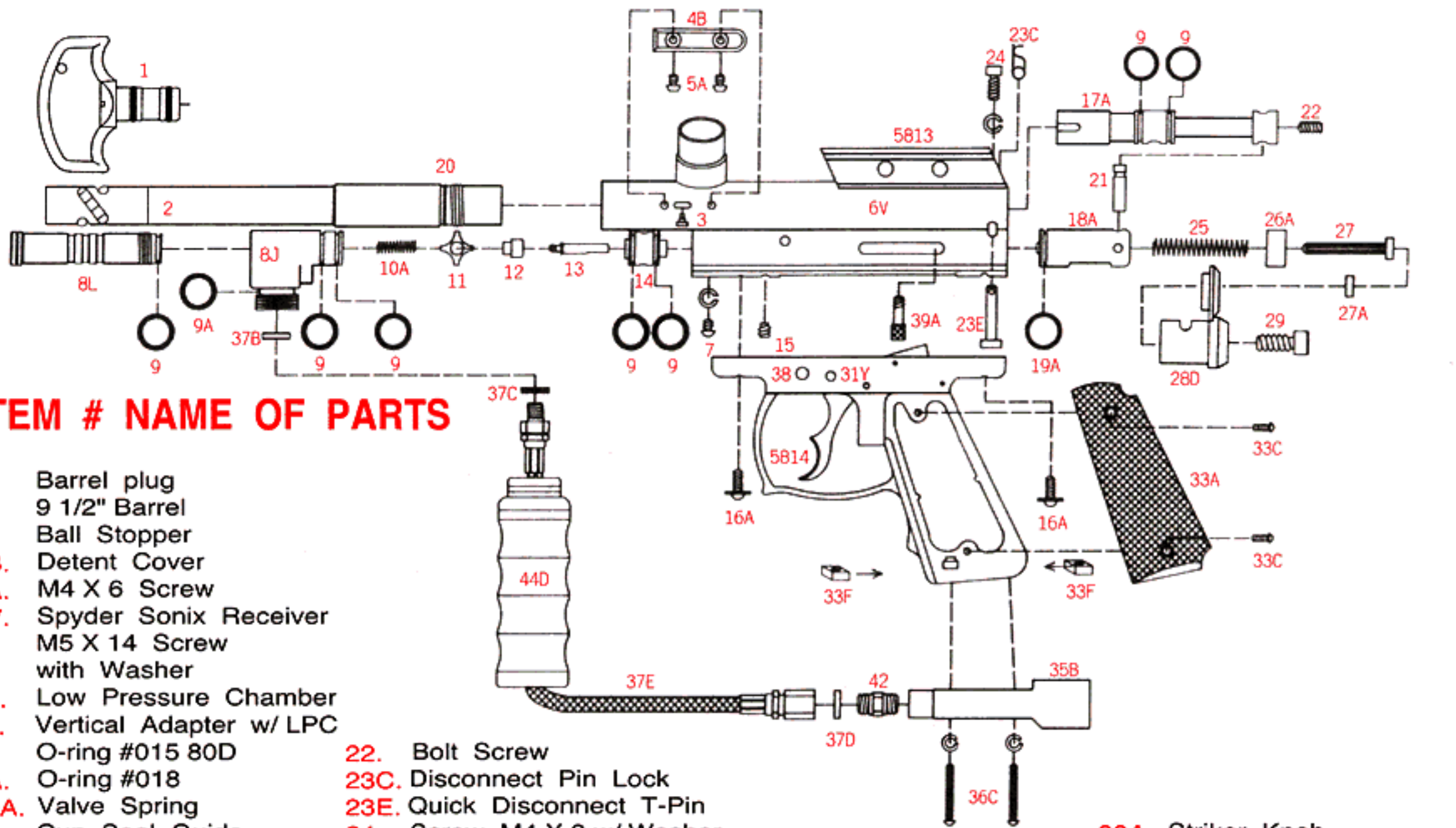


# Spyder Sonix



## ITEM # NAME OF PARTS

- |       |                           |       |                                     |       |                         |
|-------|---------------------------|-------|-------------------------------------|-------|-------------------------|
| 1.    | Barrel plug               | 22.   | Bolt Screw                          | 39A.  | Striker Knob            |
| 2.    | 9 1/2" Barrel             | 23C.  | Disconnect Pin Lock                 | 40*.  | Powerfeed Plug          |
| 3.    | Ball Stopper              | 23E.  | Quick Disconnect T-Pin              | 41E*. | Sonix Spare Parts Kit   |
| 4B.   | Detent Cover              | 24.   | Screw M4 X 8 w/ Washer              | 42.   | Male to Male Adapter    |
| 5A.   | M4 X 6 Screw              | 25.   | Striker Spring                      | 44D.  | Fore Grip               |
| 6V.   | Spyder Sonix Receiver     | 26A.  | Striker Buffer                      | 48*.  | Trigger Roll Pin        |
| 7.    | M5 X 14 Screw with Washer | 27.   | Striker Spring Guide                | 49*.  | Sear Roll Pin           |
| 8L.   | Low Pressure Chamber      | 27A.  | Flat Disc                           | 49A*. | Secondary Sear Roll Pin |
| 8J.   | Vertical Adapter w/ LPC   | 28D.  | Striker Plug W/ Bolt Plug           | 5813. | Raised Mini Sight Rail  |
| 9.    | O-ring #015 80D           | 29.   | Adjust Screw                        | 5814. | Double Trigger          |
| 9A.   | O-ring #018               | 31B*. | Sear                                | *     | Not Pictured            |
| 10A.  | Valve Spring              | 31E*. | Sear Spring                         |       |                         |
| 11.   | Cup Seal Guide            | 31F*. | Trigger Spring                      |       |                         |
| 12.   | Cup Seal                  | 31Y.  | Spyder Sonix Double Trigger & Frame |       |                         |
| 13.   | Valve Pin                 | 33A.  | .45 Grip Cover                      |       |                         |
| 14.   | Valve Body                | 33C.  | .45 Grip Cover Screw                |       |                         |
| 14A*. | Valve Body Roll Pin       | 33F.  | Nut Screw                           |       |                         |
| 15.   | Valve Body Screw          | 35B.  | C/A Adapter                         |       |                         |
| 16A.  | M5 X 12.5 Screw           | 36C.  | 5/32 X 7/8 Screw                    |       |                         |
| 17A.  | Venturi Bolt              | 37B.  | Air Filter                          |       |                         |
| 18A.  | Striker                   | 37C.  | Disconnect O-ring, #011             |       |                         |
| 19A.  | Striker O-ring            | 37D.  | Plastic washer                      |       |                         |
| 20*.  | Barrel O-ring             | 37E.  | Disconnect Hose                     |       |                         |
| 21.   | Bolt Pin                  | 38.   | Safety Button                       |       |                         |