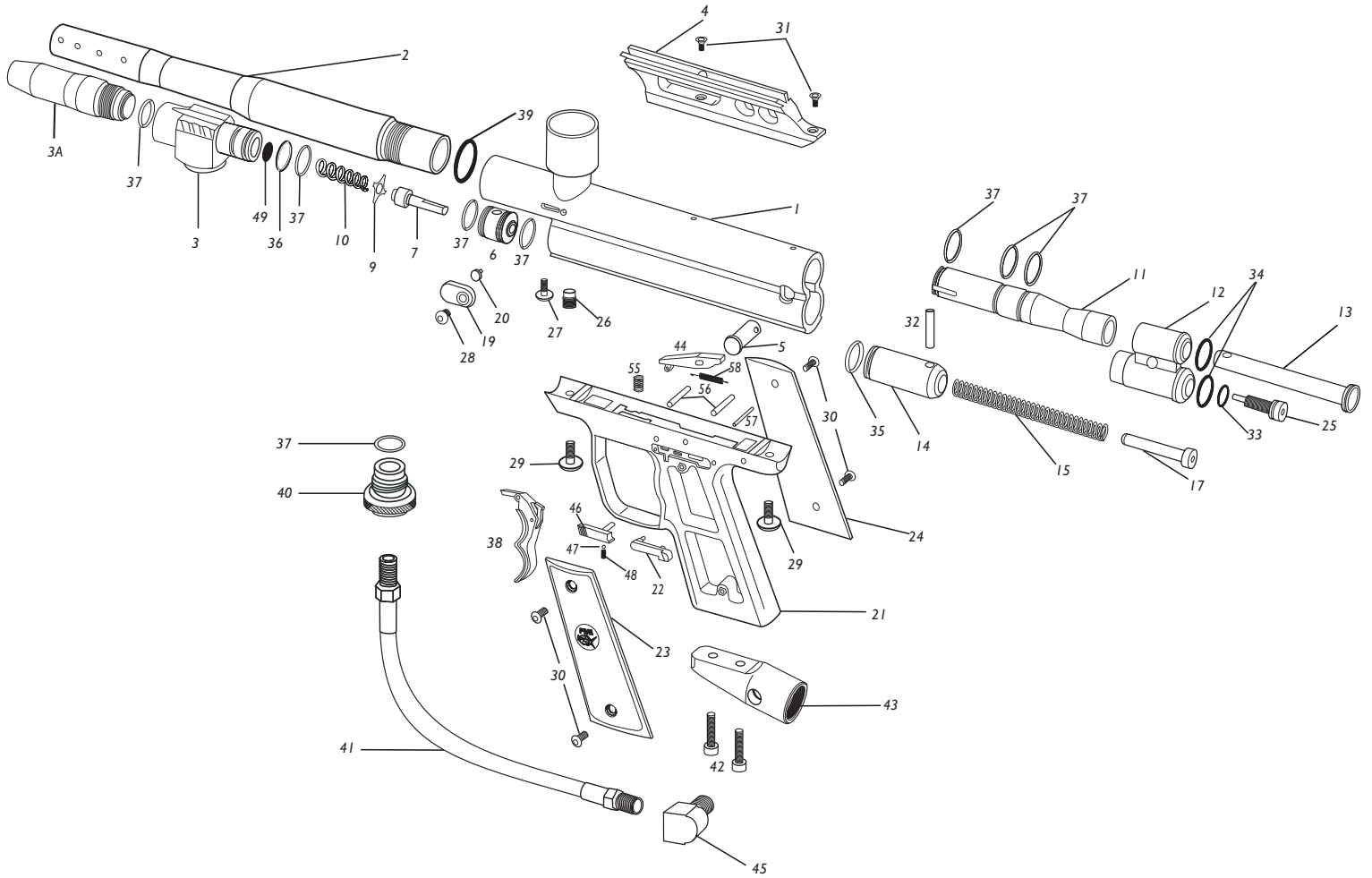


# BL VF 2K3



1. Vertical Feed Receiver	10105	30. Grip Screws	10782
2. Barrel	10124	31. Sight Screw	20010
3A. Optimized Pressure Chamber	71530	32. Bolt Pin	10291
3. Vertical ASA	10785	33. Velocity Screw O-Ring	10460
4. Sight Rail	10123	34. Rear Block O-Ring	10260
5. Field Strip Pin	10021	35. Hammer O-Ring	10361
6. Valve Body	10510	36. ASA O-Ring Rear	10260
7. Valve Cup Seal Assembly	10127	37. Bolt O-Ring	41010
9. Valve Guide	10520	37. Valve O-Ring	41010
10. Valve Spring	10550	37. ASA O-Ring Front	41010
11. Bolt	10210	37. Optimized Pressure Chamber O-Ring	41010
12. Rear Block	10405	37. Port Reducer O-Ring	41010
13. Cocking Rod	10211	39. Barrel O-Ring	10161
14. Hammer	10310	40. Port Reducer	41035
15. Hammer Spring	10350	41. 10" SS Braided Hose	47062
17. Spring Guide	10301	42. Bottom Line SS Screws	42016
19. Ball Detent Cap	10101	43. 10° Bottom Line Adapter	42013
20. Ball Detent	10160	44. Sear	10721
21. Double Trigger Frame Assembly	10052	45. 90° Elbow	47000
22. Sear Release Slide	10702	46. Safety Slide	10711
23. Grip Left	10703	47. Safety Ball	10730
24. Grip Right	10704	48. Safety Spring	10750
25. Velocity Screw	10485	49. Screen Filter	10623
26. Valve Set Screw	10513	55. Trigger Spring	10752
27. ASA Screw	10682	56. Sear/Trigger Pin	10790
28. Ball Detent Screw	10180	57. Sear Spring Pin	10767
29. Trigger Frame Screw	70537	58. Sear Spring	71589