

HOME

- Contacts
- Table of Contents
- Search
- POG Forum
- Online Catalog**
- Blazer
- Typhoon
- Stroker
- Classics
- Pumps
- Stabilizer Regulators
- Rock Regulators
- Fittings
- Drops Stocks & Tanks
- Markers on Hand
- Blazer Parts
- Cocker Parts
- Sheridan/Crossman Parts
- Spyder Parts
- Used Gun Brokerage
- Upgrade Services
- Laser Engraving
- Misc/feed elbows/squeeges.

FAQ

Who/Where Are We

Safety Info

Tech Pages/Movies

Team Palmerized

Links

Gallery

How to Shipping Info

Online dealers

Send Stuff to:

Palmer's Pursuit Shop

3951 Development Dr. #3
Sacramento, CA. 95838

Ph. (916) 923-9676

Fax (916) 923-9674

Copyright © 2000 [Palmer's Pursuit Shop]. All rights reserved.

Revised: January 16, 2004 16:16

My Account

View Cart

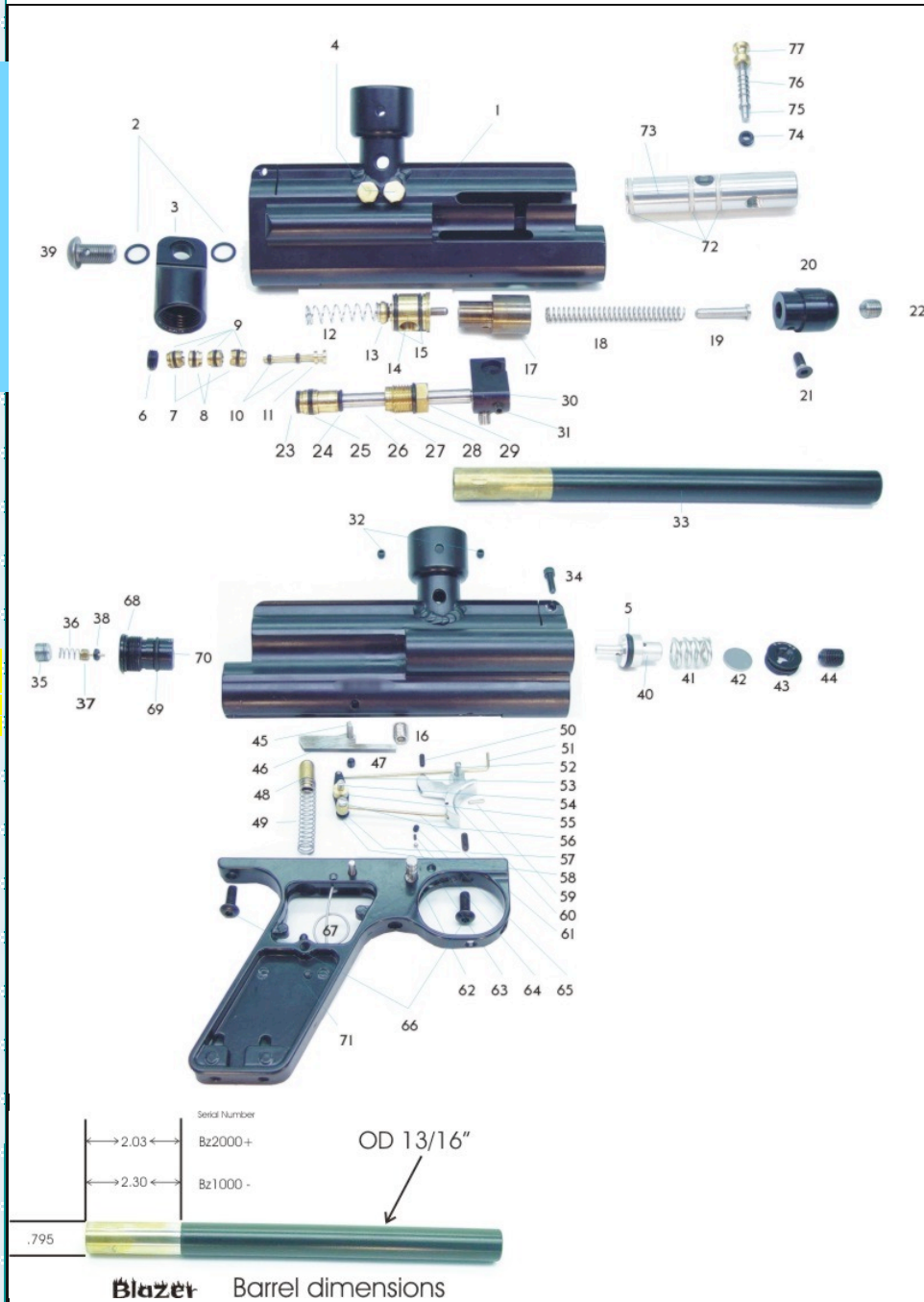
Empty Cart

PayPal
CHECK OUT



We are PayPal Verified

Blazer Assembly



1. Body	21. Velocity cap retaining screw	41. Rock Spring	61. trigger Rod
2. ASA O-ring	22. Velocity screw	42. Washer	62. Safety
3. Vertical bottle Adp.	23. Ram piston bumper (outer)	43. Rock Cap	63. Safety Ball
4. Ball Detent	24. Ram piston bumper (inner)	44. Rock adjusting screw	64. Safety spring/rubber
5. Plunger O-ring	25. Ram piston oring	45. Sear Pin	65. Safety spring screw
6. Switch Plug	26. ramp piston assembly	46. Sear	66. Frame screw
7. Outer Switch Cup	27. Ram bushing	47. Sear Pin Lock screw	67. Trigger return Spring
8. Inner Switch cup	28. Ram bushing oring (outer)	48. Sear Follower	68. Rock Valve Body O-ring (Upper)
9. Switch cup O-ring	29. Ram bushing oring (inner)	49. Sear Spring	69. Rock Valve Body O-ring (Lower)
10. Valve stem Oring	30. P-Block assembly	50. Sear Adjustment Screw	70. Rock Valve Body
11. Switch stem	31. P-Block retaining screw	51. Switch rod	71. Trigger return Spring retaining screw
12. Valve spring	32. Hopper lock screw	52. Trigger Pin	72. Bolt O-rings
13. Dyna valve	33. Barrel	53. Bellcrank	73. Bolt
14. Valve guide	34. Barrel retaining screw	54. Bellcrank pin	74. Bolt Pin retaining screw
15. Valve guide O-ring	35. Rock plug	55. Bellcrank Bushing	75. Bolt Pin
16. Valve guide retaining Screw	36. Rock valve spring	56. Trigger rod retaining screw	76. Bolt Pin spring
17. Hammer	37. Rock Valve Pin	57. Trigger Rod Retainer	77. Bolt Pin Knob
18. Hammer/Main spring	38. Rock Seal	58. Trigger rod retaining hat	
19. Main spring guide		59. Trigger rod roll pin	



40. Plunger assembly

