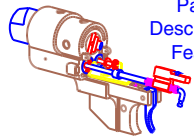


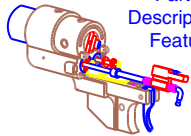
Part No.: TS1200
Description: Rear Housing Assembly

AVAILABLE VERSION

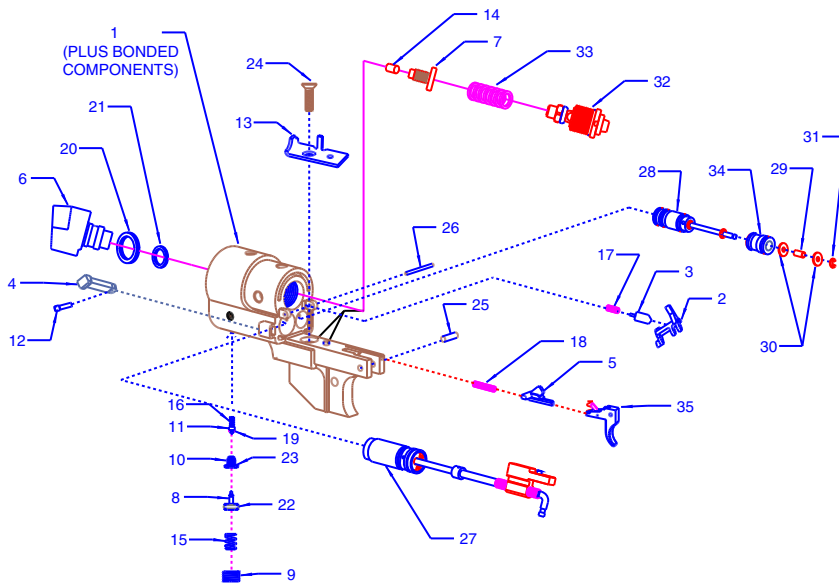


Part No.: TS1200H
Description: HPA Rear Housing Assembly
Features: HPA ASA
HPA TS1800A
No ASA Filter

AVAILABLE VERSION



Part No.: TS1200T
Description: Tactical Rear Housing Assembly
Features: Tactical ASA
HPA TS1800A
No ASA Filter



Item	Component	Description	Qty Required
1	TS1201	REAR HOUSING + BONDED COMPONENTS	1
2	TS1204	ROCKER	1
3	TS1205	FOLLOWER	1
4	TS1206	RESET	1
5	TS1208	SAFETY	1
6	TS1210	REAR AIR SOURCE ADAPTOR	1
—	*TS1210-1	AIR SOURCE ADAPTOR, TACTICAL	1
—	**TS1210-2	REAR AIR SOURCE ADAPTOR FOR HPA	1
7	TS1212	VALVE SCREW	1
8	TS1213	REGULATOR PISTON	1
9	TS1214	REGULATOR SCREW	1
10	TS1215	REGULATOR SLEEVE	1
11	TS1216	REGULATOR POPPET	1
12	TS1219	RESET PIN	1
13	TS1220	RETAINER	1
14	*** TS1221	ASA FILTER	1
15	TS1252	REGULATOR SPRING	1
16	TS1253	REGULATOR POPPET SPRING	1
17	TS1254	FOLLOWER SPRING	1
18	TS1255	SAFETY SPRING	1
19	TS1260	REGULATOR POPPET SEAL	1
20	TS1261	ADAPTER SEAL REAR	1
21	TS1262	ADAPTER SEAL FRONT	1
22	TS1264	REGULATOR PISTON O-RING	1
23	TS1267	REGULATOR SLEEVE SEAL	1
24	TS1284	RETAINER SCREW	1
25	TS1290	TRIGGER PIN	1
26	TS1292	ROCKER SHAFT	1
27	TS1700	PISTON ASSEMBLY	1
28	TS1800A	CYCLE ASSEMBLY	1
—	(TS1800A)	HPA CYCLE ASSEMBLY	1
29	TS1814	CAM SLEEVE	1
30	TS1840	CYCLE WASHER	2
31	TS1871	CAM SLEEVE RETAINER	1
32	TS1900	VALVE TUBE ASSEMBLY	1
33	TS1950	VALVE TUBE SPRING	1
34	TS2100	CYCLE SPACER ASSEMBLY	1
35	TS2200	TRIGGER ASSEMBLY	1

* Used on TS1200T only
 ** Used on TS1200H only.
 *** Used on TS1200 only.
 () Used on TS1200H and TS1200T.