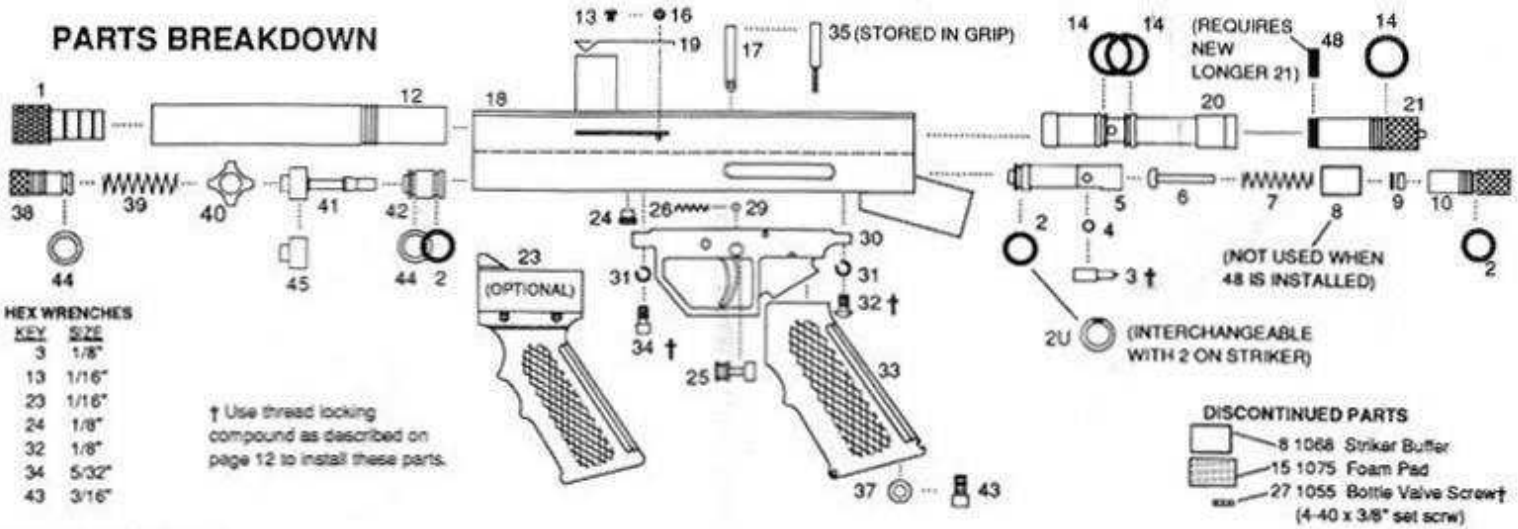


PARTS BREAKDOWN



HEX WRENCHES

KEY	SIZE
3	1/8"
13	1/16"
23	1/16"
24	1/8"
32	1/8"
34	5/32"
43	3/16"

† Use thread locking compound as described on page 12 to install these parts.

DISCONTINUED PARTS

- 8 1068 Striker Buffer
- 15 1075 Foam Pad
- 27 1055 Bottle Valve Screw† (4-40 x 3/8" set screw)

KEY NO. DESCRIPTION

- 1 1028 Muzzle Plug
- 2 1034 O-ring, 2-013, 70D (small, soft, black nitrile)
- 2U 1034U (same as 2, but white urethane with black mark)
- 3 1012 Cocking Handle†
- 4 1066 Cocking Handle Spacer
- 5 1011 Striker
- 6 1010 Striker Spring Guide
- 7 1040 Striker Spring
- 9 1073 Adjustment Spacers (pkg)
- 10 1009 Striker Plug
- 12 1019 Barrel
- 13 1054 Ball Spring Screw (4-40 x 1/8" button head)

KEY NO. DESCRIPTION

- 14 1032 O-ring, 2-016, 70D (large, soft, black nitrile)
- 16 1064 Ball Spring Washer (#4 external star)
- 17 1015 Connecting Pin
- 18 1004 Receiver
- 19 1042 Ball Retention Spring
- 20 1014 Bolt
- 21 1008 Bolt Plug
- 23 1027 Front Grip (optional)
- 24 1018 Valve Body Screw
- 25 1023 Trigger Safety
- 26 1045 Safety Detent Spring

KEY NO. DESCRIPTION

- 29 1024 Safety Detent (.067" ball)
- 30 1025 Trigger Assembly
- 31 1062 Trigger Washer (#10 split lock)
- 32 1051 Rear Trigger Screw† (10-24 x 3/8" BH; for guns with SN < 1501, use 1/2" screw cut to .375")
- 33 1026 Rear Grip
- 34 1052 Front Trigger Screw† (SH; size same as 32)
- 35 1070 Pin Removal Tool (4-40)
- 37 1061 Rear Grip Washer (1/4" star)

KEY NO. DESCRIPTION

- 38 1007 Reservoir Plug
- 39 1041 Valve Spring
- 40 1067 Cup Seal Guide (guide must fit loosely on cup seal, 45; see p 11)
- 41 1017 Valve Pin (0-3 grooves)
- 42 1016 Valve Body
- 43 1050 Rear Grip Screw (1/4-20 x 3/4" slt head)
- 44 1033 O-ring, 2-013, 90D (small, hard, white urethane)
- 45 1030 Cup Seal
- 48 1069 Bolt Buffer (used on new longer bolt plug, 21)