

ODYSSEY

OBX



WWW.ODYSSEY.TV

Safety First!

Play Hard!

Play Fast!

Play Safe!

Always remember that to have fun with any paintball related device, you must keep SAFETY FIRST. Please read all SAFETY warnings and obey the local rules and guidelines of any paintball facilities you visit.

WARRANTY INFORMATION

ODYSSEY warrants for one (1) year that this paintball marker is free from defects in materials and workmanship. Disposable parts (batteries, o-rings, seals, etc.) are not included. This warranty does not cover surface damages (scratches and nicks), misuse, improper disassembly and re-assembly, attempts made to drill holes or remove metal from the external surfaces which could reduce the safety of the marker. Do not make changes to the basic marker parts without written approval. Paintball markers are non-refundable. This warranty is limited to repair or replacement of defective parts excluding shipping costs. Do not attempt to alter the trigger assembly in any way as this will void your ODYSSEY warranty and may result in serious injury.

Introduction

Congratulations on your purchase of the O3X™ paintball marker. This marker was designed for you, the avid paintball enthusiast. The O3X™ Series offers the most advanced and desirable features along with options for future upgrades.

Features

- **FASOR™** - Forward Aired Spring Operated Return hammer system. This unique design allows O3X to be small and compact due to the single sided air driven design
- **225-300 PSI Operating pressure** – Allows O3X to get 1700+ shots out of a 68/4500. Low-pressure operation enables the marker to handle the most brittle paints the industry can throw at it.
- **SE™** – SE (Sensor Element) System
- **7.2 Volt NiMH Battery** – Rechargeable battery pack and charger included.
- **LCD user interface** – provides many software upgradeable features complete with tournament lockout. (advanced features and adjustments are available with the purchase of optional software package only.)
- **PB-Port™** - Power charging and Bandwidth data transfer in this single port.

Getting Started

Carefully read all user notices placed on the device. See **labels** on Marker.

Using supplied wall charger, plug in to **PB-Port™**. A proper charge will be required to complete a full day of play. Charge O3X™ with the supplied charger for at least 1 hour before you power it on for the first time.

Introduction

Air Sources

The O3X series of markers will work with Compressed Air.

- Compressed Air – Compressed air is recommended for best results with your O3X™. The compressed air system must be able to provide adequate flow of air at 550 – 700 PSI. Fixed or adjustable regulator systems may also be utilized.

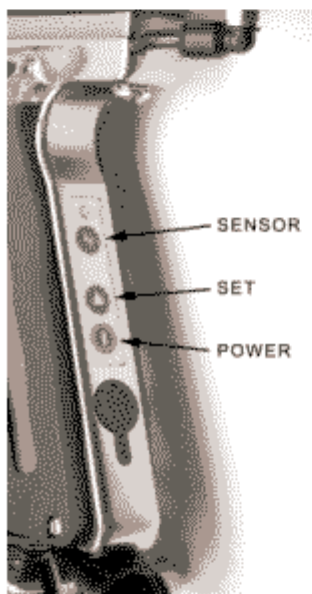
**ALWAYS USE AN INLINE OR OTHER SUITABLE
REGULATOR TO ENSURE AN OPERATING PRESSURE
OF 225 - 300 PSI.**

Odyssey recommends maintaining the factory bottom-line regulator setup for optimal performance of your O3X™.

Operating Instructions

Three buttons are used to control the electronic functions of the marker.

- 1) Sensor Button – Used to toggle the Sensors off and on
- 2) Set Button – Used to toggle between menus
- 3) Power Button - Press and hold 4 seconds to activate or deactivate the marker.



WARNING



ANY TIME YOU ARE IN A “VALUE CHANGE MODE” OR “ADVANCED SETTING MODE”, TORID WILL REMAIN **LIVE** AND WILL FIRE IF THE TRIGGER IS ACTUATED

MAKE SURE YOU HAVE A BARREL BLOCKING DEVICE INSTALLED!

SETTING THE SAFETY ON

- Press and hold the **POWER** button four (4) seconds to turn the O3X ON or OFF.
- Press the **SET** button to go ACTIVE.
- **HOLD** the **SET** button for four (4) seconds to enter SAFE mode.

The Display reads “SAFETY” when the SAFETY is ON.

Operating Instructions

ACTIVE MENU

AUTO



BALL



MULTI



SEMI



To adjust ACTIVE MENU values:



to select the value you want to adjust



to enter "change value" mode



to change the value



to save the changes

AUTO = full auto firing

BALL = Burst Mode shot amount

MULTI= Cycle Rate for Burst mode

SEMI = semi-automatic mode

WARNING: SAFETY IS OFF IN THE ACTIVE MENU!




AUTO – Automatic firing mode set from 4 to 20 BPS.

BALL – Burst Mode shot amount count setter with a preset cycle amount of 2 Bps. *BURST Shot count Adjustable from 2 to 10 shots.*

MULTI – Adjust Cyclic Rate for Burst modes using BALL setting to control shot count. With **RATE** selected, the initiation value is set to 10 bps. *RATE is adjustable from 2 to 20 BPS.*

SEMI – Traditional semi-automatic mode

Operating Instructions

SENSOR MENU	
<p>ON  AUTO  OFF </p>	<p>Press the SENSOR button until you see the mode you wish to use.</p> <p>ON = Sensor active - ball present to fire AUTO = full auto mode - anti-chop feature OFF = Sensor off.</p> <p>Note: When sensor is ON or AUTO and there are no paintballs loaded the O3X will fire at a rate of 1 ball per second.</p>

ON – Sensor Element is on to detect properly loaded paintballs prior to letting the O3X™ initiate a firing sequence.

AUTO – For use with FULL AUTO Firing Mode Only. Sensor Element is on to detect properly loaded paintballs and the firing computer will differentiate when the sensor resets after the ball is fired and the next ball is loaded. A one second delay is initiated if the sensor does not detect a ball in the breech and the gun is being fired.

NOTE – When sensor is in the ON or AUTO modes and there are no paintballs loaded in the marker (or the sensors are dirty), O3X™ will only fire at a 1 BPS rate.

OFF – Sensor Element is deactivated. The O3X will not look for a properly loaded paintball before firing.



WARNING



When FIRING your marker always wear appropriate eye protection!

Operating Instructions

ADVANCED MENU

COUNTER
↓
TIMER
↓
RATE
↓
SPEED
↓
GAUGE
↓
CHARGER
↓
POWER
↓
SENSOR
↓
ALERT
↓
SETTING RESET

↓ ↓ PRESS POWER BUTTON
TWICE to enter the
ADVANCED MENU.

To adjust ADVANCED MENU values:

- ↓ to select the value you want to adjust
- ▲ to enter "change value" mode
- ↓ to change the value
- ▲ to save the changes

COUNTER = how many shots fired
TIMER = countdown timer
RATE = cyclic rate of last shot string
SPEED = future use
GAUGE = future use
CHARGE = current battery voltage
POWER = select power save features
SENSOR = select sensor mode
ALERT = future use
SETTING RESET = Returns settings
to factory defaults

COUNTER– This trip counter displays the number of times a firing sequence has been activated with the power on.

- To reset the counter press the *set button*.
- Pressing the *POWER button* (bar marking) to return to desired mode.
- Note - the counter will reset when the marker is powered down.

Operating Instructions

TIMER – Timer counts down from 1 to 99 minutes and displays minutes and seconds.

- Setting the timer – press the *set button* (triangle marking) to increment the timer to the desired time.

To activate the timer – Press the *operation button* to return to the desired mode. The timer will be displayed with the current chosen mode and will be counting down.

RATE – When selected, this indication will show the cyclic rate of the last string of paintballs shot consistently from the marker.

SPEED – Auxiliary feature (future use)

GAUGE - Auxiliary feature (future use)

CHARGE – Allows you to check the current charge on you battery pack.

POWER – Allows you to select the type of power feature.

Once the POWER feature is displayed, the feature parameter can be changed by pressing the *set button*.

- AUTO – Shuts marker down after **20 minutes** with no user input.
- SAVE – Turns display off after **20 minutes** to conserve energy. The power indicator light will blink when the display is turned off to show the marker is still **LIVE!** The display will only appear again when one of the control panel's buttons are pressed.
- CONT – Continuous enables the LCD display to be active during the entire time the marker is on.

Operating Instructions

Operating Pressure Adjustments

WARNING – DO NOT adjust your O3X™ operating pressure any higher than 400 psi.

Operating pressure adjustments are made by using the ASA Style regulator included with your O3X™. The operating pressure should be set between **225 – 300 psi**.

- Increasing the pressure on your bottom line regulator – Use the included 6mm HEX tool to turn the adjusting nut. IN or clockwise (if viewing from the front). Watch the input pressure gauge supplied on the side of your regulator to get the desired setting.
- Decreasing the pressure – Turn adjusting nut OUT or counterclockwise. When decreasing the pressure the indicator gauge will not drop. *The marker must be fired to relieve this pressure before an accurate reading can be achieved.*
- Always recheck the velocity of the gun when adjusting operating pressures.

Low Pressure Adjustments

WARNING! Before removing the LPR be sure and remove the set Screw from the bottom side of it.

The regulator installed on the front of your O3X makes LPR adjustments.

- The adjustment for initial tuning should be made with **no paint** in the marker and the SENSOR system set to **OFF**.
- With the operating pressure set at 280psi and the LPR totally screwed out, begin to turn in the adjustment screw with the supplied HEX tool. This will allow stepped down pressure to be supplied to the solenoid when the marker is fired.
- Without paint in the marker, FIRE the marker while increasing the LPR to increase pressure. At first the marker will not fire.

Operating Instructions

LPR continued...

- Once the marker is firing, place a couple of paintballs in the marker and fire them measuring the velocity.
- The marker must be FIRED to relieve this pressure before accurate results can be achieved.
- To adjust the pressure: Turn clockwise to increase pressure, counter-clockwise to reduce pressure.
- If the solenoid begins to leak, **reduce the pressure adjustment immediately**. After firing the solenoid should stop leaking.

Velocity

- Velocity is a balance of Operating Pressure and LPR Pressure. When you have the LPR within range adjust the operating pressure regulator to achieve proper velocity.
- Always recheck the velocity of the gun when adjusting the LPR or bottom line regulator.

Tournament Lock Out Mode

To adjust your maker using the tournament lockout mode you must access the inside of the grip.

1. Remove the screws located on the LCD side of the grip panel and lift up the grip.
2. Select semi-auto mode in the software.
3. In the lower forward corner of the circuit board you will locate the Jumper.
4. Remove the jumper and reinstall with only one pin attached.
5. Replace screws in reinstalled grip to close. Ensure no wires have become pinched when putting grip back on marker.

NOTE – When in tournament mode, the marker will only fire in semi-auto mode only. Your LCD Features will be limited.

Your O3X™ is now locked in SEMI only mode and is ready for tournament play.

Maintenance



WARNING



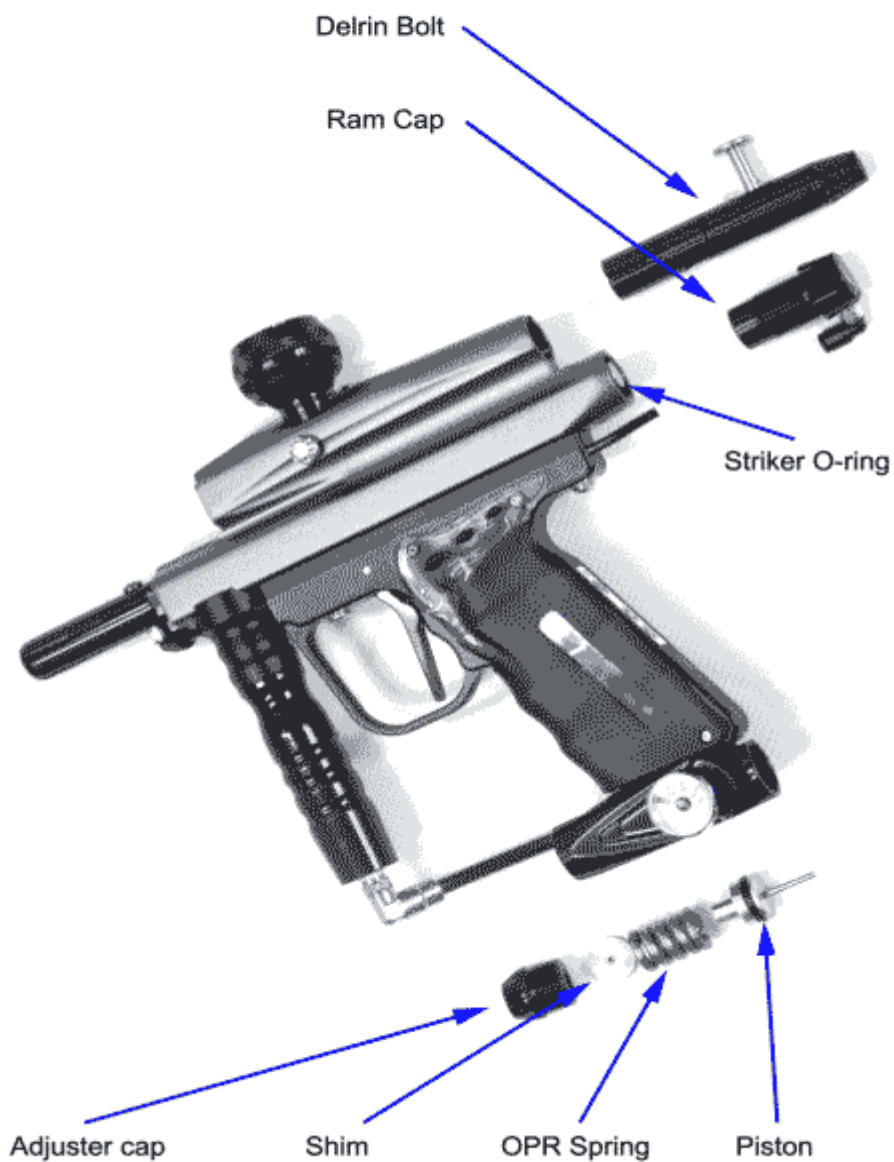
BEFORE ANY MAINTENANCE IS PERFORMED ON YOUR O3X SERIES MARKER IT MUST BE CLEAR OF PAINTBALLS AND MUST NOT HAVE AN AIRSOURCE CONNECTED!

Lubricating the bolt

Your O3X™ is equipped with a Quickstrip bolt to reduce friction. To ensure O3X™ fires properly, the bolt o-rings must be lubricated and kept clean. If the surface becomes sticky follow these simple instructions:

- Remove bolt and clean thoroughly with a dry cloth. Soap and warm water may be used to remove contaminants.
- Dry thoroughly while making sure the pin locking system works freely.
- The pin lock system should be oiled to ensure it is acting correctly. **NOTE** - Do this very lightly while minimizing the amount of oils on the bolt itself.
- Clean bore of marker with squeegee and ensure no contaminants are present.
- Lubricate the o-rings on the bolt lightly.
- Replace lubricated bolt in marker and check movement. Bolt should now move freely in the bore.

03X



Maintenance

Lubricating the hammer

To remove the FASOR hammer assembly for cleaning and maintenance:

- 1) Remove the bolt, air system and hopper.
- 2) Remove the air hose from its QD fitting on the Ram Cap.
- 3) Remove the sensor cover and carefully slide the sensor out of the body.
- 4) Remove the two screws used to hold the grip frame to the body. The grip frame should come free from the body as a complete assembly with the sensor attached.
- 5) Looking through the slot located in the bottom of the body, you should see the tool opening for the **carrier screw** located in the hammer
- 6) Unscrew the carrier screw with the supplied HEX tool and remove from marker.
- 7) With the carrier screw removed, the Ram Cap should screw out of the body removing the hammer and the return spring with it.
- 8) Clean inside of cylinder and inside of body to remove all contaminates.
- 9) Clean hammer and rearward piston o-ring area. NOTE – Front o-ring on the hammer's piston shaft acts as a bumper and spacer for proper hammer positioning. It is not a seal.
- 10) When properly cleaned, the hammer should only ride on the piston o-ring in the cylinder and on its Large diameter in the body.
- 11) Replace rear piston o-ring if needed.
- 12) Lubricate rear o-ring and reinstall in cylinder.

NOTE: With the frame off of the body, adjust the carrier screw to the proper height to carry the bolt with the retaining pin in the proper position.

Most contaminates found while participating in the sport of paintball can be cleaned using a simple water alcohol mix. This mixture will dissolve dirt and paint while evaporating quickly and without leaving residue.

Troubleshooting

O3X will not turn on.

Hold the Power button for more than 4 seconds.

Charge the battery for at least one hour.

Make sure battery is connected properly

O3X will not fire.

If sensors are on ball needs to be present – is your loader turned on?

Battery voltage is too low to fire.
Charge battery

Solenoid may be out of place, open grip and press solenoid forward.

Air leak from barrel area

Usually barrel leaks are due to lack of lubrication. Drop some oil into valve area. If this does not fix it the cup seal is worn and needs to be replaced or the valve o-rings need to be replaced.

Air leak from LPR area

Tighten properly or replace o-ring

Air leak from hose fittings

Make sure hose fittings are properly tightened and/or sealed with thread sealant.

Troubleshooting

O3X will not completely cycle

O3X is breaking paintballs out the barrel

O3X is chopping paintballs in the breach

Air pressure is too low. Operating pressure is 225-300 PSI.

Charge the battery – voltage is too low.

Lubricate the Sealing Ring on the Hammer. Check for wear on the sealing ring, it may need to be replaced.

LPR pressure may be too low. Adjust LPR while shooting without paint.

Hammer or Bolt could be dirty causing slow action.

Air pressure is too high. Adjust the operating pressure to 225-300 PSI.

Paintballs could be too large for the barrel. Stock barrel size is .693

Ball detent is excessively worn or dirty and may need to be replaced.

Make sure the sensors are turned ON.

Check that the sensors are clean from debris or paint.

Battery voltage is low – charge battery.

Safety First!



WARNING



Paintball markers are not toys!

Misuse or careless use can cause *serious injury* or *death*.

ANY person located in the range of an actively used paintball marker must wear **eye protection** that is approved and designed for paintball use.

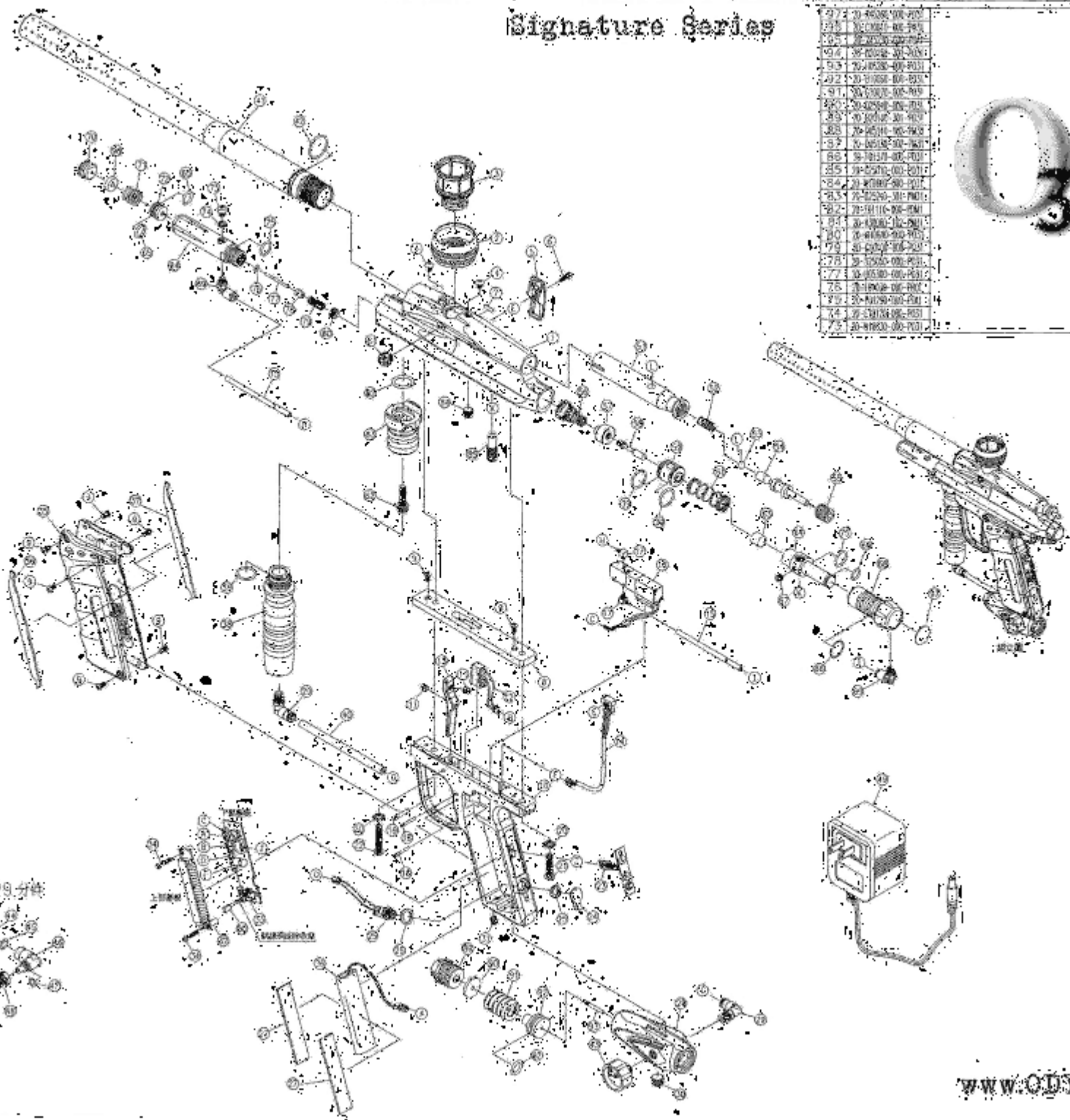
Read the operation manual.

Always use a barrel blocking device.

Always ensure the marker is not pointed at anyone when it is being handled outside the confines of an actual paintball game and where proper **eye protection** is being used.

It is recommended to be at least 18 Years of age to purchase. Children 14 or under should only use paintball markers under adult supervision or on paintball fields meeting ASTM standard F1777-97.

Signature Series



974	20-4000-00-P01
973	20-4000-00-P02
972	20-4000-00-P03
971	20-4000-00-P04
970	20-4000-00-P05
969	20-4000-00-P06
968	20-4000-00-P07
967	20-4000-00-P08
966	20-4000-00-P09
965	20-4000-00-P10
964	20-4000-00-P11
963	20-4000-00-P12
962	20-4000-00-P13
961	20-4000-00-P14
960	20-4000-00-P15
959	20-4000-00-P16
958	20-4000-00-P17
957	20-4000-00-P18
956	20-4000-00-P19
955	20-4000-00-P20
954	20-4000-00-P21
953	20-4000-00-P22
952	20-4000-00-P23
951	20-4000-00-P24
950	20-4000-00-P25
949	20-4000-00-P26
948	20-4000-00-P27
947	20-4000-00-P28
946	20-4000-00-P29
945	20-4000-00-P30
944	20-4000-00-P31
943	20-4000-00-P32
942	20-4000-00-P33
941	20-4000-00-P34
940	20-4000-00-P35
939	20-4000-00-P36
938	20-4000-00-P37
937	20-4000-00-P38
936	20-4000-00-P39
935	20-4000-00-P40
934	20-4000-00-P41
933	20-4000-00-P42
932	20-4000-00-P43
931	20-4000-00-P44
930	20-4000-00-P45
929	20-4000-00-P46
928	20-4000-00-P47
927	20-4000-00-P48
926	20-4000-00-P49
925	20-4000-00-P50
924	20-4000-00-P51
923	20-4000-00-P52
922	20-4000-00-P53
921	20-4000-00-P54
920	20-4000-00-P55
919	20-4000-00-P56
918	20-4000-00-P57
917	20-4000-00-P58
916	20-4000-00-P59
915	20-4000-00-P60
914	20-4000-00-P61
913	20-4000-00-P62
912	20-4000-00-P63
911	20-4000-00-P64
910	20-4000-00-P65
909	20-4000-00-P66
908	20-4000-00-P67
907	20-4000-00-P68
906	20-4000-00-P69
905	20-4000-00-P70
904	20-4000-00-P71
903	20-4000-00-P72
902	20-4000-00-P73
901	20-4000-00-P74
900	20-4000-00-P75

974	20-4000-00-P01
973	20-4000-00-P02
972	20-4000-00-P03
971	20-4000-00-P04
970	20-4000-00-P05
969	20-4000-00-P06
968	20-4000-00-P07
967	20-4000-00-P08
966	20-4000-00-P09
965	20-4000-00-P10
964	20-4000-00-P11
963	20-4000-00-P12
962	20-4000-00-P13
961	20-4000-00-P14
960	20-4000-00-P15
959	20-4000-00-P16
958	20-4000-00-P17
957	20-4000-00-P18
956	20-4000-00-P19
955	20-4000-00-P20
954	20-4000-00-P21
953	20-4000-00-P22
952	20-4000-00-P23
951	20-4000-00-P24
950	20-4000-00-P25
949	20-4000-00-P26
948	20-4000-00-P27
947	20-4000-00-P28
946	20-4000-00-P29
945	20-4000-00-P30
944	20-4000-00-P31
943	20-4000-00-P32
942	20-4000-00-P33
941	20-4000-00-P34
940	20-4000-00-P35
939	20-4000-00-P36
938	20-4000-00-P37
937	20-4000-00-P38
936	20-4000-00-P39
935	20-4000-00-P40
934	20-4000-00-P41
933	20-4000-00-P42
932	20-4000-00-P43
931	20-4000-00-P44
930	20-4000-00-P45
929	20-4000-00-P46
928	20-4000-00-P47
927	20-4000-00-P48
926	20-4000-00-P49
925	20-4000-00-P50
924	20-4000-00-P51
923	20-4000-00-P52
922	20-4000-00-P53
921	20-4000-00-P54
920	20-4000-00-P55
919	20-4000-00-P56
918	20-4000-00-P57
917	20-4000-00-P58
916	20-4000-00-P59
915	20-4000-00-P60
914	20-4000-00-P61
913	20-4000-00-P62
912	20-4000-00-P63
911	20-4000-00-P64
910	20-4000-00-P65
909	20-4000-00-P66
908	20-4000-00-P67
907	20-4000-00-P68
906	20-4000-00-P69
905	20-4000-00-P70
904	20-4000-00-P71
903	20-4000-00-P72
902	20-4000-00-P73
901	20-4000-00-P74
900	20-4000-00-P75

NO81分件:

NO29分件:



ODYSSEY

3850 Marquis Drive, Garland, Texas, 75042

Tel: 972-494-2500

Fax: 972-494-2522

Online: www.odyssey.tv