

PURSUIT PAINT RIFLE



**MUST WEAR
FACE AND EYE
PROTECTION**

MODEL K2

CAUTION: NOT A TOY. ADULT SUPERVISION REQUIRED. MISUSE OR CARELESS USE MAY CAUSE SERIOUS INJURY (ESPECIALLY TO EYES) OR DEATH. MAY BE DANGEROUS UP TO 100 YARDS. (91 METRES).

Form 414 1/25/88

WARNING: When removing rifle from storage, or when handing to, or receiving from another person, ALWAYS check to be sure rifle is NOT loaded.

CAUTION: This manual contains essential instructions for safe charging, loading, use, and maintenance of your new Pursuit Marking Rifle. If you follow these instructions, you can be sure to enjoy a lifetime of its use. Use this rifle with respect for yourself and others. Never, under any circumstance, tamper with or alter the factory adjustments on the trigger, sear, safety, or any other part which may affect safe operation.

SAFETY PRECAUTIONS:

Keep in mind that previous careless handling might cause a marking pellet to remain in the barrel.

Never point your rifle, charged or uncharged, loaded or unloaded, with safety on or off, at or near anything you do not intend to mark.

Never lean your rifle against a car, fence or any other movable object that could cause the rifle to fall.

DO NOT STORE YOUR RIFLE LOADED.

Never allow others to use or inspect your rifle without first instructing them in the fundamentals of safe use. For everyone's protection, stress keeping the muzzle pointed in a safe direction at all times. Inform them of any other common sense rules of safety which the situation may require.



USING YOUR CO₂ RIFLE

CHARGING:

Unscrew the filler cap assembly and remove it, (see illustration). Place a 12 Gram CO₂ bottle in the tube assembly as shown. **BE SURE TO SCREW THE FILLER CAP ASSEMBLY COMPLETELY BACK INTO PLACE.**

With rifle unloaded and pointed in a safe direction, cock the action, close bolt and pull the trigger. The rifle should now be fully charged. If not, repeat until the rifle is expelling CO₂. This may be necessary because of slight variations in the manufacture of some CO₂ cartridges.

OPERATION OF SAFETY:

To put rifle on SAFE you must **FIRST** cock the action. (Safety will not operate unless action is cocked. The safety could be damaged if pressure is applied to safety button before action is cocked.)

SECOND: Push down on the left thumb button marked "S". To release safety push down on the right thumb button marked "F". Always put safety solidly on "S" until you are ready to shoot.

LOADING:

Remove rear magazine plug, Part #P905 and fill magazine with .68 Cal. Paint Pellets. Magazine holds 15 paint pellets. Replace rear magazine plug.

To load paint pellets into action, open bolt and draw back until resistance is felt. With gun in upright position, pull back hard and fast until sear

NOTE

Use only Sheridan 12 gram type CO₂ cartridges or other 12 gram type cartridges which are **FLAT ON THE SMALL END**. Any other cartridge form, such as that having a crimped on cap at the small end, will cause leakage of CO₂.

CO₂ guns should not be used in temperatures below 50° F., as performance decreases significantly below this level. CO₂ cartridges may explode at temperatures above 160° F.

COCKING:

Open bolt and draw back slightly until it stops against the mainspring. Pull back hard and fast against the spring until sear engages with a 'click' and bolt stays back. **BE SURE TO PUT RIFLE ON SAFE IMMEDIATELY THEREAFTER.**

2

engages with a 'click' and bolt stays back.

Rotate gun to left side to allow a paint pellet to roll into action. Close and lock bolt until resistance is felt. Marking pellet is now in firing position. Be sure bolt is closed and locked before firing.

Care should be used when loading paint balls because they are fragile and may burst. Two paint balls in the chamber may also cause them to burst.

FIRING:

Put safety in "FIRE" position. Push button marked "F" with thumb. Sight in target, aim and pull trigger. **CAUTION!** Never point your paint rifle charged or uncharged, loaded or unloaded, with safety on or off, at or near anything you do not intend to mark with paint.



RELEASING CO₂ CHARGE

When the charge in the CO₂ cartridge is almost exhausted, velocity and power will decrease noticeably. When this happens, stop loading and shooting immediately. Completely release the remaining CO₂ by slowly unscrewing the filler cap, allowing the gas to escape through the action. Pull the filler assembly from the action tube and remove the empty cartridge. The CO₂ charge may be released at any time in this manner.

CAUTION: BE SURE THE PAINT RIFLE IS UNLOADED WHEN RELEASING THE CO₂ CHARGE. If a paint pellet is left in the barrel and a new cartridge is inserted and pierced by cocking and pulling the trigger, the pellet will be expelled. ALWAYS point rifle in a safe direction when charging.

MAINTENANCE

1. GENERAL CARE

Barrel and action tube are made of a rustproof, non-ferrous alloy which requires no special treatment. Other external metal surfaces should be wiped with a lightly oiled cloth after each use. Sheridan CO₂ cartridges contain oil which lubricates internal parts; no additional lubrication is necessary.

2. DRY SNAPPING

While an occasional firing of the unloaded rifle is not harmful, repeated dry snapping will damage the valves and is not recommended.

3. STORAGE

Although your Pursuit Paint CO₂ Rifle will hold its charge indefinitely, for maximum safety it should

WARNING: The following could also cause a paint pellet to remain in the barrel after loading and pulling the trigger:

1. No CO₂ cartridge or empty cartridge in the action tube.
2. Bolt not fully closed.
3. Broken paint pellet.
4. Foreign matter obstructing bore.
5. Dented barrel.

RECOMMENDED AMMUNITION

.68 Caliber Water-Soluble Paint Pellets.

4

always be stored uncharged, uncocked, and unloaded. Store in a clean, dry place and well out of the reach of children.

4. SERVICE

Your Pursuit CO₂ paint rifle should be inspected periodically for any changes in functioning characteristics. Particularly, changes in trigger pull force or trigger travel which are indicative of possible wear. Also, if your rifle is ever dropped or otherwise subjected to severe impact, it should be carefully inspected to ensure that its proper functioning has not been affected.

Any repairs should be performed only by qualified factory personnel. If your Pursuit CO₂ paint rifle is in need of service, package it carefully and insure for full value. Enclose a note describing desired service and send to Service Department.

5

An estimate of repair costs will be furnished on request. NOTE: Pursuit Rifles do not come under the provisions of the 1968 Gun Control Act and can be shipped via UPS.

WARNING: Any attempted modification or service or other tampering by the owner or any other person may cause the rifle to malfunction and may render it unsafe. Any repairs should be made only by qualified factory personnel. For information on use and service, please contact Pursuit Marketing, Inc., 1052 Whitehall Drive, Northbrook, IL 60062, 312-272-4765.

STATEMENT OF LIABILITY:

This rifle is delivered by us with the express understanding that we assume no liability for its resale or safe handling. It can be considered as

a dangerous weapon if mishandled, abused, instructions are ignored, or factory adjustments tampered with. Sheridan Products and Pursuit Marketing assume no responsibility for physical injury or property damage resulting from its use. We will honor no claims for damage to the rifle resulting from careless handling, unauthorized adjustments, ignoring of instructions, improper ammunition, neglect, or resulting from any part or parts being altered or tampered with.

LIMITED WARRANTY:

Sheridan Products, manufacturer of Pursuit paint rifle, warrants to the original consumer-purchaser that such rifle is free from defects in material and workmanship for a period of 90 days from the date of purchase. Any and all implied warranties arising under and by virtue of state law shall similarly

6

be limited to 90 days from date of purchase. Some states do not allow limitation on how long an implied warranty lasts, so the above limitations may not apply to you.

Sheridan will repair or replace, without charge, to the original purchaser/consumer, any of its rifles that fail through defect in material or workmanship during the warranty period. The defective rifle must be returned, postage or shipping prepaid, to:

Sheridan Products
2600 Chicory Road
Racine, WI 53403
414-554-7900

Sheridan shall not be liable under this warranty for any defect, failure, or malfunction of any of its products caused by abuse, misuse, unauthorized adjustments, improper ammunition, or disassembling. Please supply proof of purchase date when sending your rifle in for warranty repairs.

This warranty gives you specific legal rights, and you may also have other rights which vary from state to state.

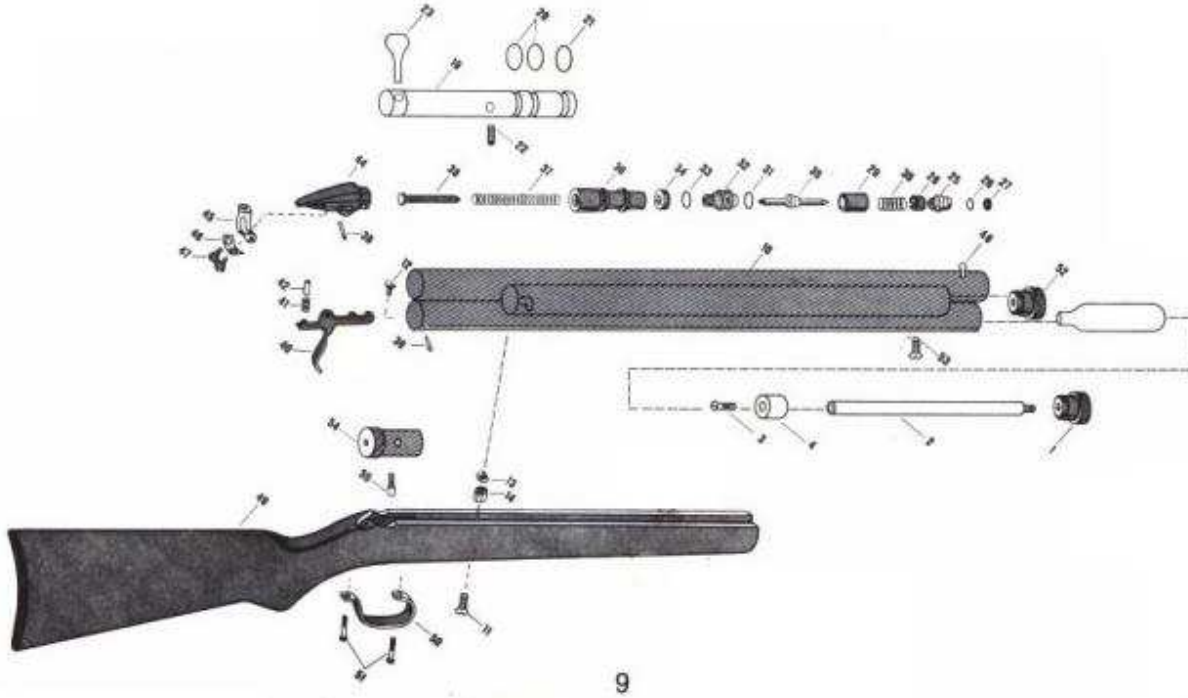
The Pursuit Paint Rifle is manufactured by Sheridan Products, Racine, WI 53403.

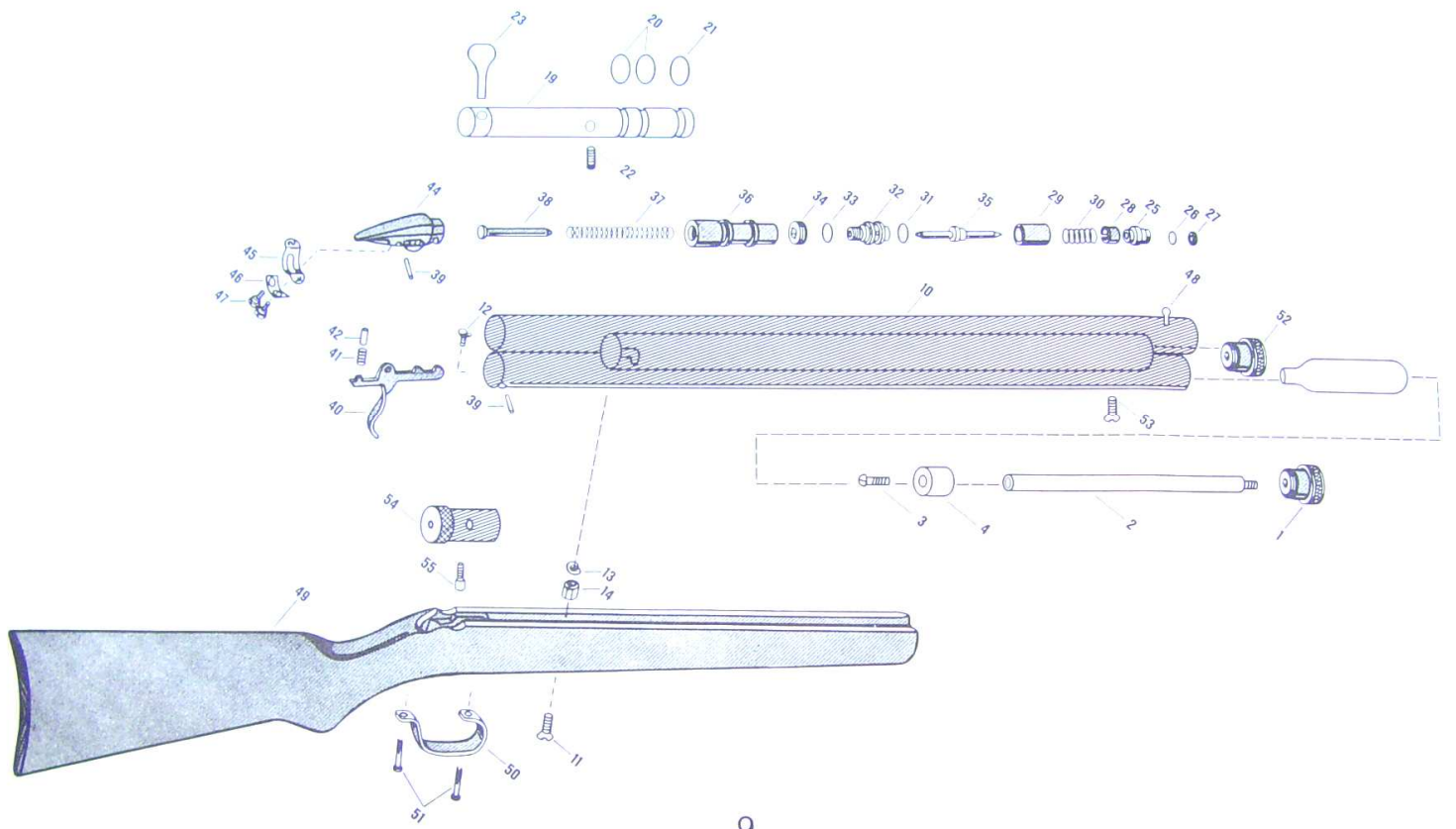
7

MODEL K2 PARTS LIST

REF. NO.	PART NO.	PART NAME
1	K2X102	Filler Cap Assembly (Consists of the following)
2		F101 Filler Cap
3		KF102 Filler Rod
4		F103 Filler Head Screw
		F104 Filler Head
10	K2X-203-2	Tube Assembly
11	C302	Forward Receiver Screw
12	F304	Action Fastener Screw
13	C305	Action Fastener Washer
14	C306	Action Fastener Nut
	KX401	Bolt Sub-Assembly (Consists of the following)
19		K400 Bolt Body
20		P401 Rear Breech Seals (2)
21		K401-1 Front Breech Seal
22		P404 Bolt Locking Lug
23		K405 Bolt Handle
	FX500	Chamber Plug Assembly (Consists of the following)
25		F500 Chamber Plug
26		F500-0 Chamber Plug Seal
27		F504 Chamber Plug Face
28	F500-1	Chamber Plug Sleeve
29	F502-1	Chamber Sleeve
30	F503	Exhaust Valve Spring
31	F506	Valve Guide O Ring
32	C507	Valve Guide
33	C506-1	V.G. Gasket (Lead)
34	C508	V.G. Retaining Nut
35	FX505-3	Exhaust Valve Assembly
36	C601	Striker
37	F602	Mainspring
38	C603	Mainspring Guide Pin
39	C605	Mainspring Retaining Cap Pin (2)
40	C614	Trigger
41	C616	Trigger Spring
42	C617	Trigger Stop
	CX600	Mainspring Retaining Cap Sub-Assy
44		(Consists of the following)
45		C604 M.S. Retaining Cap
46		C611 Safety Slide
47		C612 Safety Washer
48		C613 Safety Screw (2)
	K700	Front Sight
	FX800	Stock Assembly (Consists of the following)
49		F800 Stock
50		C807 Trigger Guard
51		C808 Trigger Guard Rivet (2)
52	P901	Front Magazine Plug
53	P902	Front Magazine Plug Screw
54	P905	Rear Magazine Plug
55	P907	Rear Magazine Plug Lock Screw
	AC4	Disassembly/Assembly Tool

*Must be factory fitted.





MODEL K2 PARTS LIST

REF. NO.	PART NO.	PART NAME
	K2X102	Filler Cap Assembly (Consists of the following)
1		F101 Filler Cap
2		KF102 Filler Rod
3		F103 Filler Head Screw
4		F104 Filler Head
10	K2X-203-2	Tube Assembly
11	C302	Forward Receiver Screw
12	F304	Action Fastener Screw
13	C305	Action Fastener Washer
14	C306	Action Fastener Nut
	KX401	Bolt Sub-Assembly (Consists of the following)
19		K400 Bolt Body
20		P401 Rear Breech Seals (2)
21		K401-1 Front Breech Seal
22		P404 Bolt Locking Lug
23		K405 Bolt Handle
	FX500	Chamber Plug Assembly (Consists of the following)
25		F500 Chamber Plug
26		F500-0 Chamber Plug Seal
27		F504 Chamber Plug Face
28	F500-1	Chamber Plug Sleeve
29	F502-1	Chamber Sleeve
30	F503	Exhaust Valve Spring
31	F506	Valve Guide O'Ring
32	C507	Valve Guide
33	C506-1	V.G. Gasket (Lead)
34	C508	V.G. Retaining Nut
35	FX505-3	Exhaust Valve Assembly
36	C601	Striker
37	F602	Mainspring
38	C603	Mainspring Guide Pin
39	C605	Mainspring Retaining Cap Pin (2)
40	C614*	Trigger
41	C616	Trigger Spring
42	C617	Trigger Stop
	CX600	Mainspring Retaining Cap Sub-Assy. (Consists of the following)
44		C604 M.S. Retaining Cap
45		C611 Safety Slide
46		C612 Safety Washer
47		C613 Safety Screw (2)
48	K700	Front Sight
	FX800	Stock Assembly (Consists of the following)
49		F800 Stock
50		C807 Trigger Guard
51		C808 Trigger Guard Rivet (2)
52	P901	Front Magazine Plug
53	P902	Front Magazine Plug Screw
54	P905	Rear Magazine Plug
55	P907	Rear Magazine Plug Lock, Screw
	AC4	Disassembly/Assembly Tool

*Must be factory fitted.

This Card Must be Returned Postpaid To Factory With Complete Information Required Under 90 Day Warranty.

Dealer's Name _____

Dealer's Address _____

Model _____ Cost _____ Date Purchased
Or Received _____

Serial No. _____

NAME _____

Address _____

Age _____

POSTAGE



CUT

HERE



SHERIDAN PRODUCTS

2600 Chicory Road

Racine, Wisc. 53403

Manuals Provided by: <http://www.mcarterbrown.com>