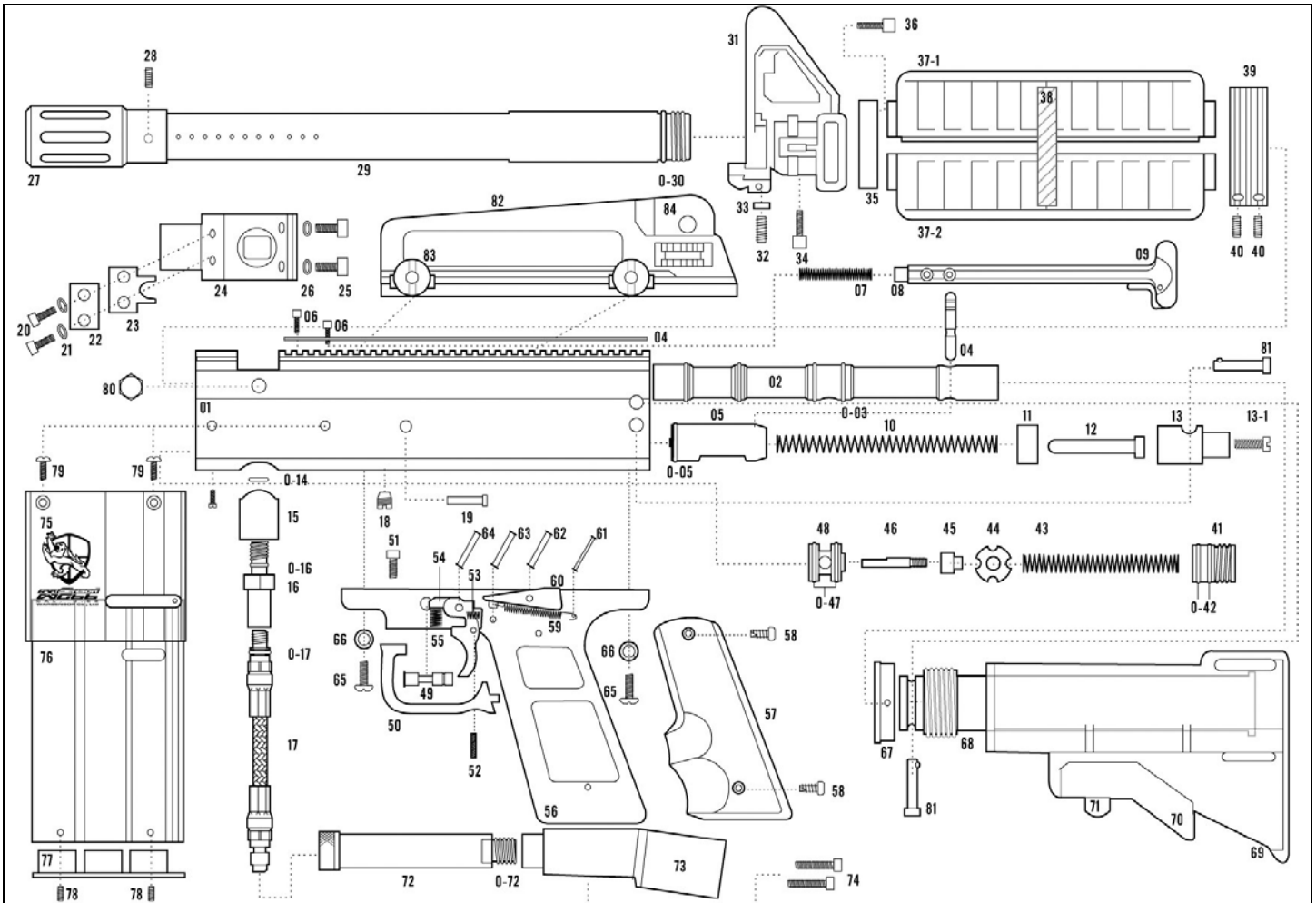


SECTION 2

Warsensor WS-66

- Parts diagram
- Parts listing



MARKER INTERNALS (REAR)

- 0-03 – Bolt o-rings
- 0-05 – Striker o-ring
- 1 – Billet Aluminum Receiver (marker body)
- 2 – Aluminum bolt
- 3 – Cocking Pin (misabeled 4 on diagram)
- 4 – Cocking handle housing cover
- 5 – Striker
- 6 – Cocking handle retainer screw/housing screw
- 7 – Cocking handle retractor spring
- 8 – Cocking handle spring holder/pin stop
- 9 – Cocking handle assembly
- 10 – Striker spring
- 11 – Striker ring buffer

MARKER INTERNALS

- 12 – Striker spring guide (metal rod)
- 13 – Striker Chamber/Velocity Cap
- 13-1 – Velocity Adjustment Screw
- 81 – Stock and Velocity Cap retainer pins

MARKER INTERNALS (FRONT)

- 0-42 – Volumizer Plug o-rings
- 41 – Volumizer Plug
- 43 – Volumizer valve spring
- 44 – Cup seal spring retainer/guide
- 45 – Cup Seal
- 46 – Valve Stem
- 0-47 – Valve o-rings
- 48 – Turbo Valve
- 18 – Valve Alignment Lug
- 19 – Valve Retainer / Stop Pin

<p>TRIGGER PARTS</p> <p>49 – Safety Switch Semi Trigger 50 – Trigger Guard 51 – Trigger Guard Screw 52 – Trigger Pin (rotation pin) 53 – Trigger Pull Adjuster lug 54 - Trigger Stop / Return Spring 55 - Trigger 56 – Trigger Grip / Frame 57 – Trigger Grip Covers 58 – Trigger Grip Cover Screws (x 4) 59 – Sear Tension Spring 60 – Sear 61 - Sear Tension Spring rear hooking pin 62 – Sear Retainer Pin (rotation point) 63 – Sear Stop pin 64 – Trigger upper stop pin 65 – Trigger Screws 66 – Trigger Screw Washers</p>	<p>STOCK PARTS</p> <p>67 – Rear Stock Locking Ring 68 – Rear Stock Tube 69 – Rear CAR-15 Collapsible Butt-stock 70 – Butt-stock Adjuster Latch 71 – Butt-stock latch retainer screw-nut</p> <p>MAGAZINE PARTS</p> <p>75 – Magazine receiver housing 76 – Magazine 77 – Magazine Bottom (guides air house out back end of magazine) 78 – Magazine bottom retainer hex screws 78 – Magazine receiver retainer screws 80 – angel style ball detent (not present on G1 and G2 revisions of WS66) 85 – Barrel Securing Lug (not shown in diagram, but located on front portion of milled rail just above retainer pin – part # 81) 86 – Magazine Lock/Release lever/button (not shown)</p>	<p>AIR SUPPLY PARTS</p> <p>0-14 Vertical mini ASA PVC sealing ring 15 – Vertical mina ASA housing 0-16 – Vertical ASA threaded/o-ring fitting 16 – Vertical ASA braided hose adapter housing/extender 0-17 Braided air hose threaded o-ring adapter 17 – Braided high-pressure hose with quick release nipple 72 – Quick release bottom line micro-channel air tube 0-72 – Bottom line air tube threaded adapter 73 – Bottom line ASA adapter 74 – Bottom line ASA adapter retainer screws</p>
<p>BARREL PARTS</p> <p>27 – Muzzle Break 28 – Muzzle Break retainer lug 29 – Micro honed/ported .691 bore barrel 0-30 – Barrel o-ring, receiver insertion section (shows threading but it is NOT...it uses an alignment pin) 31 – Front Vertical Site 32 – Front sight retainer lug 33 – Front sight retainer lug pressure pad 34 – Front sight sling loop and screw 35 – Front sight barrel hand-guard ring 36 – Front hand-guard retainer / alignment screw 37 -1/2 Handguard halves (M4 style guards) 38 – Hand-guard center retainer ring 39 – Rear hand-guard barrel ring 40 – Rear hand-guard ring retainer screws</p>	<p>POWERFEED PARTS</p> <p>20 – Ball detent retainer screws 21 – Ball detent retainer scw-washers 22 – Ball detent pressure plate 23 - Rubber two-prong ball detent 24 – Power Feed Block 25 – Power Feed block retainer screws 26 – Power Feed block retainer screw-washers 87 – Power Feed copper elbow attachment tube (not shown) 88 – Elbow attachment tube retainer lug (not shown)</p>	<p>SIGHT/CARRY HANDLE PARTS</p> <p>82 – Composite M4 Carry Handle 83 – Carry Handle RIS Securing Screws 84 – Rear Windage/Elevation Sight</p>

Parts and accessories on the Warsensor WS-66 and Armotech WG series markers are interchangeable with the exception of the stock, barrel, magazine kit. The internals are virtually the same, with the exception that the WG-65 is side cocking while the WS-66 is top cocking and uses a different design of cocking pin mechanism which is NOT interchangeable between designs.

Accessories such as hand guards, RIS guards, RIS rails, carry handle /rear sight, front barrel sight, trigger frames/grips, folding stocks, A1/A2 butt-stocks, sight rails, scopes, red-dots, flashlights, lasers, ball detents, powerfeed necks, springs and the like are ALL compatible between both lines of marker.

The hop-up barrel system of the WS-66 is unique in that it is a non-threaded design. It locks into place with a retainer pin and stabilizing screw on the receiver, while the barrel system of the Armotech WG line is VM-68 compatible threading and needs to be screwed in. The hop-up barrel has three grooves which should be located at the 11am, 12pm and 1pm locations when looking down the barrel. (do not look down the barrel of a LOADED and PRESSURIZED MARKER)